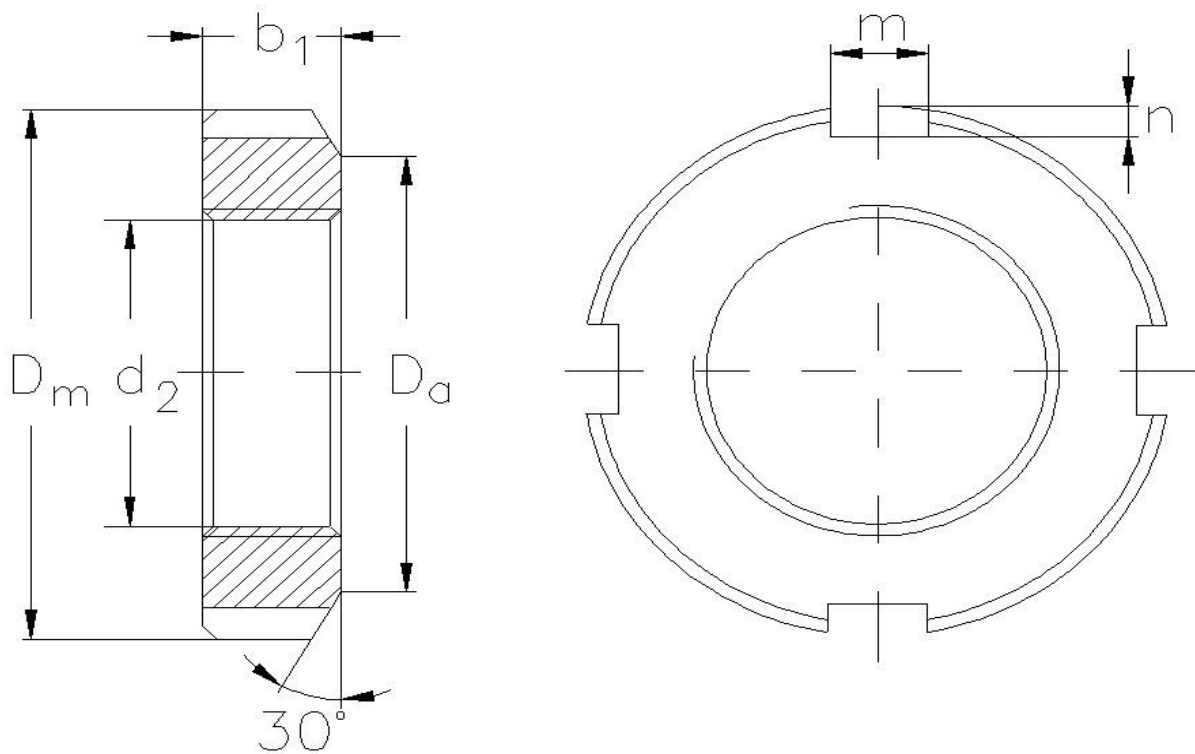
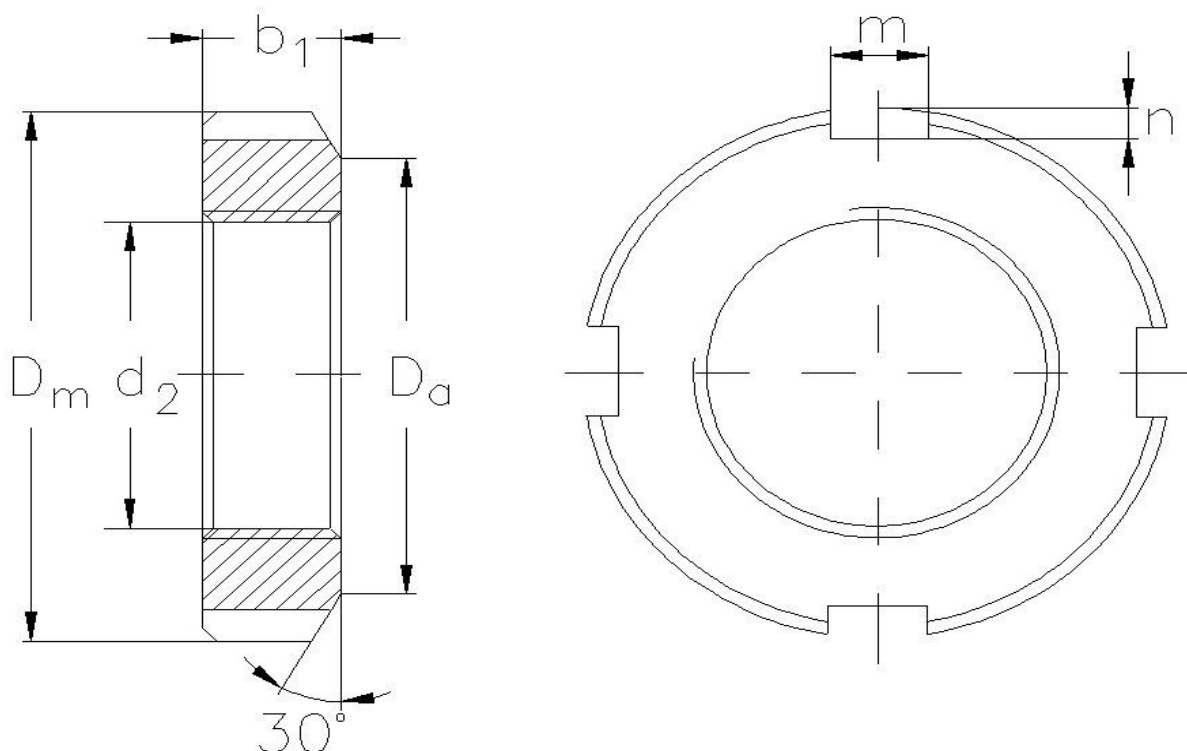


Piulițe de blocare / de extracție



Filet	Dimensiuni					Masa ≈ Kg	Simbol piuliță	Simbol șaiță
	d2 mm	Dm mm	b1 mm	Da mm	m mm			
M20x1	32	6	26	4	2,0	0,019	KM4	MB4
M25x1,5	38	7	32	5	2,0	0,025	KM5	MB5
M30x1,5	45	7	38	5	2,0	0,043	KM6	MB6
M35x1,5	52	8	44	5	2,0	0,053	KM7	MB7
M40x1,5	58	9	50	6	2,5	0,085	KM8	MB8
M45x1,5	65	10	56	6	2,5	0,120	KM9	MB9
M50x1,5	70	11	61	6	2,5	0,150	KM10	MB10
M55x2	75	11	67	7	3,0	0,160	KM11	MB11
M60x2	80	11	73	7	3,0	0,170	KM12	MB12
M65x2	85	12	79	7	3,0	0,200	KM13	MB13
M70x2	92	12	85	8	3,5	0,240	KM14	MB14
M75x2	98	13	90	8	3,5	0,290	KM15	MB15
M80x2	105	15	95	8	3,5	0,400	KM16	MBB16
M85x2	110	16	102	8	3,5	0,450	KM17	MB17
M90x2	120	16	108	10	4,0	0,560	KM18	BM18
M95x2	125	17	113	10	4,0	0,660	KM19	MB19
M100x2	130	18	120	10	4,0	0,700	KM20	MB20
M105x2	140	18	126	12	5,0	0,840	KM21	MB21
M110x2	145	19	133	12	5,0	0,965	KM22	MB22
M115x2	150	19	137	12	5,0	1,010	KM23	MB23
M120x2	155	20	138	12	5,0	1,080	KM24	MB24
M120x2	145	20	135	12	5,0	0,780	KML24	MBL24

Piulițe de blocare / de extracție



Filet	Dimensiuni					Masa ≈ Kg	Simbol piuliță	Simbol șaiță
	d2 mm	Dm mm	b1 mm	Da mm	m mm			
M125x2	160	21	148	12	5,0	1,190	KM25	MB25
M130x2	165	21	149	12	5,0	1,250	KM26	MB26
M130x2	155	21	145	12	5,0	0,880	KML26	MBL26
M135x2	175	22	160	14	6,0	1,550	KM27	MB27
M140x2	180	22	160	14	6,0	1,560	KM28	MB28
M140x2	165	22	155	12	5,0	0,990	KML28	MBL28
M145x2	190	24	171	14	6,0	2,000	KM29	MB29
M150x2	195	24	171	14	6,0	2,030	KM30	MB30
M150x2	180	24	170	14	5,0	1,380	KML30	MBL30
M155x3	200	25	182	16	7,0	2,210	KM31	MB31
M160x3	210	25	182	16	7,0	2,590	KM32	MB32
M160x3	190	25	180	14	5,0	1,560	KML32	MBL32
M165x3	210	26	193	16	7,0	2,430	KM33	MB33
M170x3	220	26	193	16	7,0	2,800	KM34	MB34
M170x3	200	26	190	16	5,0	1,720	KML34	MBL34
M180x3	230	27	203	18	8,0	3,070	KM36	MB36
M180x3	210	27	200	16	5,0	1,950	KML36	MBL36
M190x3	240	28	214	18	8,0	3,390	KM38	MB38
M190x3	220	28	210	16	5,0	2,050	KML38	MBL38
M200x3	250	29	226	18	8,0	3,690	KM40	MB40
M200x3	240	29	222	18	8,0	2,980	KML40	MBL40